



Professional Filtration System

ShangHai Cijie Enviromental Technology Co.,Ltd

ShangHai Cijie Enviromental Technology Co.,Ltd
Rugao Cijie Enviromental Technology Co.,Ltd

No. 158, Shengang Avenue, Lingang New Town, Pudong New Area, Shanghai
No.7 Industrial Park, Xiayuan Town, Rugao City, Jiangsu Province

Tel: + 86 021 6134 3962
Fax: + 86 021 6134 3963
<http://www.cijie-tec.com>





Professional filtration system

Company Profile >>>

Shanghai cijie Environmental Technology Co., Ltd. is a leading filtration company in China. It focuses on the field of precision filtration, self-cleaning filtration and sewage treatment equipment, and is committed to providing comprehensive professional filtration support for customers. The core technology team of cijie has rich industry filtration experience, strong design and research ability, comprehensive use of comprehensive filtration products, and integration of global first into the filter technology and product resources, to provide a one-stop solution.

Shanghai cijie filtration products are widely used in petrochemical industry, sewage treatment, fine chemical industry, pharmacy, food and beverage, automobile industry, coating, papermaking and other fields.

Shanghai cijie Environmental Technology Co., Ltd. takes the principle of "science and technology leading, quality excellence" as the principle, and "serves users and returns to nature" as its purpose. It provides high-quality services for customers. The company has independent import and export operation rights and facilitates customer service at home and abroad.

To choose CIJIE brand is to choose a trustworthy long-term filtering partner.



瞭望

+

未来



賜杰

用心 赢未来





CONTENTS

CJZT High Efficiency Filter	01
CJ-MLF PE / PA Microporous Filter	03
CJRH Series Multifunctional (Three In One) Machine ...	05
CJHB Series Horizontal Vane Filter	07
CJFR Automatic Backwash Filter	09
CJBS Automatic Plate Type Airtight Filter	11
BP Membrane Pier Filter Element	12
CJFW Core Backwash Filter	13
CJST Scraper Type Self Cleaning Filter	15
CJTF Single Bag Filter	17
MF Quick Opening Multi Bag Filter	19
VF Common Multi Bag Filter	20
Anti Corrosion Bag Filter	21
CJLW Precision Filter	22
LWQ Multi Core Filter	23
QC Strong Magnetic Filter	25
CJSF Basket Filter	27
CJ Filter Element Series	29
CJ Filter Bag Series	31
Industry Application	33

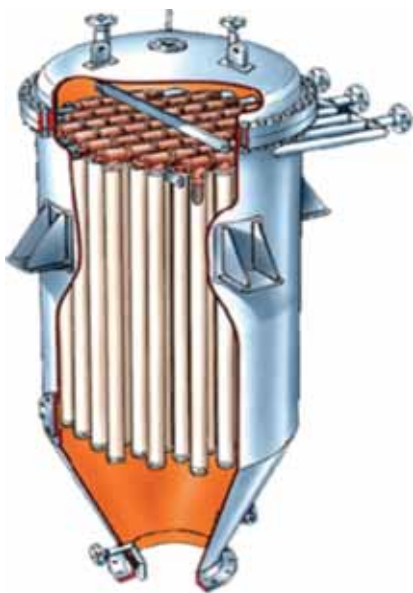
CJZT High Efficiency Filter

Product introduction

CJ-ZT high-efficiency filter is our company's self-developed filtering equipment, high-efficiency filter can be online filtration, washing, drying, unloading, reverse washing and other functions of the integrated filtering equipment. All functions are controlled by PLC to realize automatic filtering, which greatly reduces the labor cost.

There are two types of high-efficiency filters: dry discharge and concentrated discharge. The filter is completely airtight and will not pollute the environment. The whole process is powered by gas, which can be applied to any high-risk environment. It is suitable for high solid content, high precision, high temperature, strong corrosion and other special occasions.

CJ-ZT high-efficiency filter is a filter with high degree of automation. At the same time, there are a variety of materials to choose from. It is suitable for many industries. The main materials of shell are carbon steel, stainless steel and glass fiber reinforced plastic. At the same time, it can carry out anti-corrosion treatment inside the shell, such as rubber lining, PTFE lining, Hala spraying, PFA spraying, etc. The filter elements are made of stainless steel, PP, PVDF, etc. Most of the requirements of customers are met.



Filter status



Stainless steel filter



PPfilter element

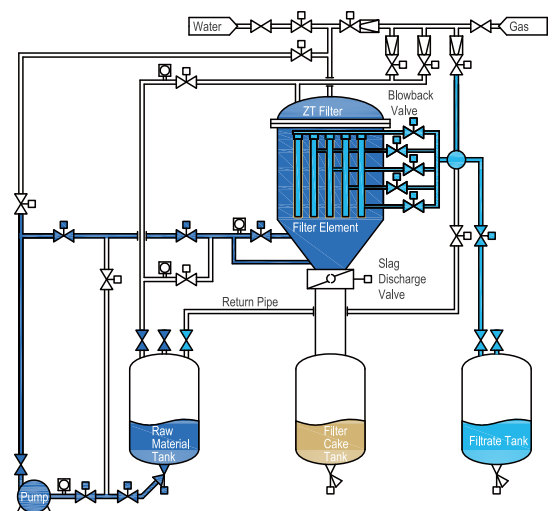


PVDFfilter element



Blowback state

Flow chart of high efficiency filter system



Working principle

The solution is pumped into the filter through the pump, and the impurities are intercepted on the surface of the filter material. When the impurities accumulate to a certain value, that is, the pressure difference between the inlet and outlet reaches the set value of the program, the residual liquid is filtered by the filter, and then the filter cake is blown dry by entering the gas. Finally, the filter cake is blown back through the filter tube, and the filter cake will fall off completely, and then the filter material can be cleaned.



Product characteristics

- ◆ High degree of automation, greatly reducing personnel operation;
- ◆ The equipment is fully enclosed, which can deal with corrosive and volatile liquid, and has no harm to environment and personnel;
- ◆ It can deal with high impurity content and high viscosity impurities;
- ◆ At the same time, the filter cake can be dried to meet the requirements of processing and recycling filter cake, and the liquid loss is the least;
- ◆ High filtration precision;
- ◆ There are a variety of filter materials to choose from to meet the filtration requirements of various industries.
- ◆ At the same time, we can provide small test equipment and pilot test equipment to the site for testing.



Small test equipment



Medium sized test equipment



Automatic unloading

Field test results:



Comparison before and after filtration



Diatomite filtration



Activated carbon recovery

Product characteristics

- ◆ Activated carbon filtration
- ◆ Recovery and filtration of precious metals or catalysts
- ◆ Titanium dioxide
- ◆ Recovery of renewable products from industrial wastewater
- ◆ Flue gas purification of power plant and waste incineration plant
- ◆ Removal of impurities in ferrous chloride production
- ◆ Edible oil
- ◆ Electroplate
- ◆ Brine filtration in chlor alkali industry
- ◆ Recycling of waste HF from panel thinning
- ◆ Filtration of circulating water in ceramic industry
- ◆ Production of adipic acid
- ◆ Copper foil production
- ◆ Production of epoxy resin
- ◆ Various fine chemicals and pharmaceuticals

CJ-MLF PE/PA Microporous Filter

Product introduction

PE / PA microporous filter adopts sintered polyethylene pepac microporous pipe as filtering medium, hanging PE / PA filter pipe in vertical airtight body as filtering medium, and has pneumatic slag discharge port at the bottom of the equipment. The filtration area per unit volume is large, and the operation is simple and convenient. The automatic and manual control is adopted. The PE / PA microporous filter has high filtration precision, which can reach 0.3 μ m precision. It has good regeneration effect and can be used repeatedly. It is suitable for filtration of many acid-base and organic solvents.

PE / PA microporous filter has been widely used in basic chemical industry, fine chemical industry, hydrometallurgy, chemical fertilizer, pharmaceutical, food, environmental protection and other industries. It is suitable for precision filtration (such as the filtration of activated carbon decoloration solution, catalyst, ultra-fine crystal, etc.) with high treatment capacity, high solid content and requirements for filter biscuit degree.

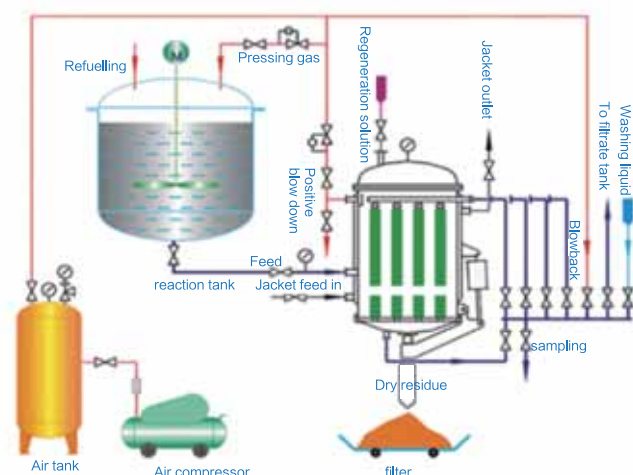


Product characteristics

- ◆ As a filter medium, PEPA microporous tube has high filtration precision, can be used repeatedly and has a long service life.
- ◆ Strong acid and alkaline resistance.
- ◆ Continuous filtration under closed conditions has the advantages of high safety, convenient operation, low labor intensity and small floor area.
- ◆ According to the requirements, the slag discharge port can be designed as manual type, butterfly valve type, ball valve type, pneumatic quick open type and other forms.
- ◆ The bottom layer of the filter is equipped with a microporous tube, which makes the filtered residue dry and the filtrate is filtered at one time, which is very good for intermittent filtration and filtration in which the upper and lower batches cannot be mixed.
- ◆ The raw materials can be stirred, washed, aerated and filtered in the filter at one time, and the ideal effect can be achieved.
- ◆ According to the specific situation, the outer layer can be added with sandwich insulation.
- ◆ PE temperature resistance ≤ 90 °C, PA temperature resistance ≤ 110 °C.
- ◆ PE / PA filter tube can resist acid, alkali, aldehyde, aliphatic hydrocarbon and radioactive radiation; it has excellent chemical properties and organic solvent resistance; it can resist organic solvents such as ester ketone and ether below 80 °C; it has good impact strength and is not easy to be damaged; its specific gravity is light and easy to install.

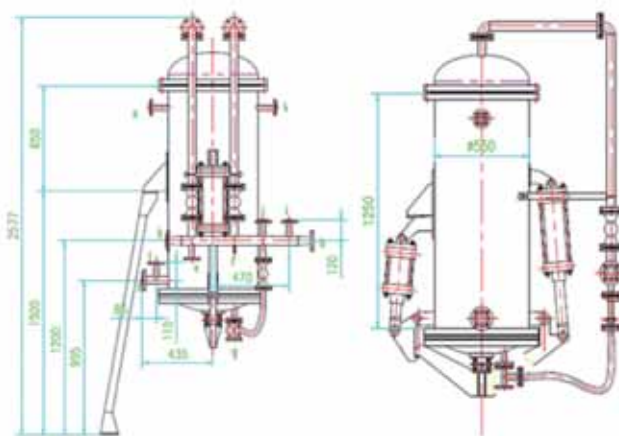
Working Principle

The material is pumped into the filter through the PEPA microporous tube, and the clean liquid flows out of the container and is discharged into the clean tank. After the filtration of the material is completed, the air source (nitrogen or compressed air) is introduced for pressure filtration. The liquid in the container is filtered. After that, the filter cake is blown dry, and then the bottom valve is opened for unloading. The filter cake is completely blown down by gas reverse blowing. Close the bottom valve. Prepare for the next filter.



Scope of application

- ◆ Each row of activated carbon filtration, catalyst recovery;
- ◆ Precision filtration of Chinese herbal medicine juice;
- ◆ Precision filtration of oral medicine, injection medicine, tonic liquid, medicinal wine, etc;
- ◆ Precision filtration of syrup for pharmaceutical and food use;
- ◆ Precise filtration of soy sauce, vinegar, etc;
- ◆ Precision filtration of fruit juice (apple juice, strawberry juice, hawthorn juice, etc.);
- ◆ Iron mud filtration in pharmaceutical and chemical production.



Technical parameter

model	CJ-MF-P2	CJ-MF-P5	CJ-MF-P10	CJ-MF-P20	CJ-MF-P30	CJ-MF-P40	CJ-MF-P60	CJ-MF-P100
Filtration area (m ²)	2	5	10	20	30	40	60	100
processing capacity (m ³ /h)	According to the experimental results							
Design pressure (Mpa)	≤0.3							
Design temperature (°C)	≤100							
Cylinder diameter (mm)	300	600	800	900	1000	1200	1600	2000
Cylinder volume (m ³)	0.138	0.61	1.19	1.4	2.08	3.35	4.42	6.23
Slag discharge port	300	600	800	900	1000	1200	1600	2000
Equipment height (mm)	1550	1550	2290	2380	2880	2760	3426	4270

CJRH Series Multifunctional (Three In One) Machine

Product introduction

CJRH series multifunctional three in one filter is a multi-functional solid-liquid separation equipment integrating filtration, washing and drying. It is widely used in fine chemicals, pesticides, petroleum, food, printing and dyeing, medicine and other industries. In the production process, the user's influence on the surrounding environment or temperature on the product quality is relatively large, so our three in one equipment can meet the requirements. At the same time, our company produces aseptic filtration washing drying three in one filter, chemical grade washing, filtering and drying three in one filter, and filtering and washing two in one filter. The flexible configuration of the equipment ensures to meet the different application fields of customers.

In pharmaceutical production, fully enclosed production process has always been the best production mode pursued by pharmaceutical manufacturers. In this way, the pharmaceutical production process is not affected by external or artificial impurities and pollution, which can effectively ensure the quality of drugs, and the impact of production on the environment is the least. This production mode is in line with the development trend of clean production in the world. It is difficult to strictly ensure the aseptic requirements in the process of loading or unloading between transport containers (boxes, drums or PE bags) and production equipment (dryers, mixers, sub loaders, etc.). In order to meet the closed production process, our company has developed a filter, washing, drying three in one unit, the production system can achieve complete automatic operation control.

The filter, washing and drying machine is used to complete the filtration, washing and drying process of crystal liquid in the whole multi-functional production process, including feeding, beating, filtering, washing, drying, discharging, online detection and other key steps, so as to prepare for the next mixing process of clean room production. The filter, washing and drying machine also has CIP and sip functions.



Medical grade



Chemical grade



Detachable chassis



Agitator



Blowdown valve



Sampling valve

Product parameters

- ◆ Pharmaceutical intermediates and sterile APIs
- ◆ Pharmaceuticals
- ◆ Fine chemical industry
- ◆ Printing and dyeing industry

- ◆ Chassis structure: fixed and dismantled
- ◆ Main materials: stainless steel 304, 316L, Hastelloy
- ◆ Filter media materials: metal sintering mesh, metal powder sintering mesh, filter cloth
- ◆ Filtration accuracy: 3um-500um
- ◆ Seal form: double face mechanical seal, packing seal
- ◆ The distance between blade and cylinder wall: 8-10 mm on one side
- ◆ Distance between blade and base plate: 8-10 mm
- ◆ Flatness of bottom plate: $\pm 1\text{mm} / \text{m}^2$



Working process



Filtration stage



Washing stage



Drying stage



Unloading stage

Product characteristics

- ◆ The equipment is designed and assembled in strict accordance with the requirements of GMP and FDA, fully in line with the requirements of drug production process, and the system is safe, stable and reliable;
- ◆ Completely closed filtration, no leakage and no environmental pollution.
- ◆ Operate under pressure or vacuum to realize solid-liquid separation. During filtration, the filter cake is evenly distributed and the solid-liquid separation effect is good.
- ◆ The lifting and lowering of the stirring system is controlled by hydraulic pressure. The space for slag holding is maximized during filtration. The lifting and stirring of agitator blades make the filter cake and cleaning solution fully mixed during cleaning, and the filter cake is fully washed; the time of drying is greatly reduced and the efficiency is improved.
- ◆ Hydraulic control of slag discharge valve, automatic scraping and discharging of slag system, reducing labor intensity.
- ◆ It is especially suitable for filtration occasions with large solid content, liquid phase and solid phase are recycled respectively.
- ◆ The corrosion-resistant three in one system made of special materials can adapt to a variety of corrosion-resistant media.
- ◆ The whole process can be carried out under the protection of inert gas, which is safe and reliable.

Technical parameter

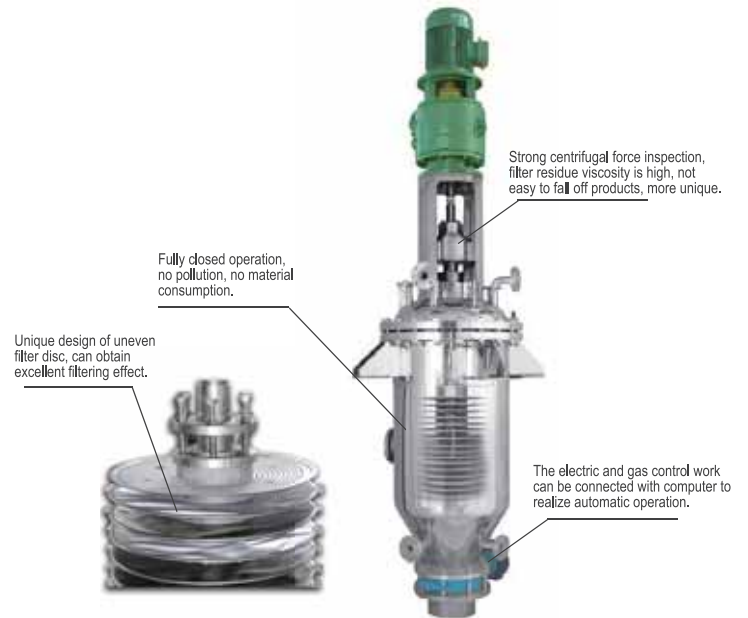
Equipment model	Cylinder diameter (mm)	Filtration area (m ²)	Nominal volume (m ³)	Cake thickness (mm)	Blade lifting height (mm)	Motor power (KW)	Net weight (KG)	Total height (mm)
CJRH-400	400	0.125	0.07	120	150	0.55	860	2550
CJRH-500	500	0.19	0.15	140	160	2.2	1500	3000
CJRH-600	600	0.28	0.22	140	200	2.2	1700	3300
CJRH-800	800	0.5	0.46	200	220	3	2250	3500
CJRH-1000	1000	0.8	0.95	220	250	5.5	3500	3800
CJRH-1200	1200	1	1.2	250	300	7.5	4900	4000
CJRH-1400	1400	1.5	1.9	300	350	11	6500	4500
CJRH-1600	1600	2	2.59	300	350	15	7500	4500
CJRH-1800	1800	2.5	3.2	350	400	15	10000	4700
CJRH-2000	2000	3	4.5	400	450	18.5	11700	5100
CJRH-2300	2300	4	6.4	400	450	18.5	12800	5200
CJRH-2600	2600	5.3	9	400	500	22	16500	5300
CJRH-2800	2800	6	10.8	450	500	22	18650	5500
CJRH-3000	3000	7	14	450	550	37	21230	5700

Note: the lifting stroke of mixing part can be designed according to user's requirements; other technical specifications can be designed according to user's process requirements. Shanghai cijie Environmental Protection Technology Co., Ltd.

CJHB Model Series Horizontal Vane Filter

Product introduction

CJHB The horizontal vane filter is a kind of high efficiency, energy saving and automatic airtight filter. It is widely used in petroleum, chemical, food, sugar, pharmaceutical and other industries. It can realize automatic on-line filtration, washing, drying, unloading and other functions. The filter disc adopts a unique design. When the motor rotates to produce centrifugation, the filter cake is easy to fall off. The special structure of the filter plate has a long service life, which reduces the cost of consumables in the later stage of customers. At the same time, there is no residual liquid in the batch production process of horizontal vane filter. It can be applied to solid-liquid separation and filtration equipment in various industries.



Product characteristics

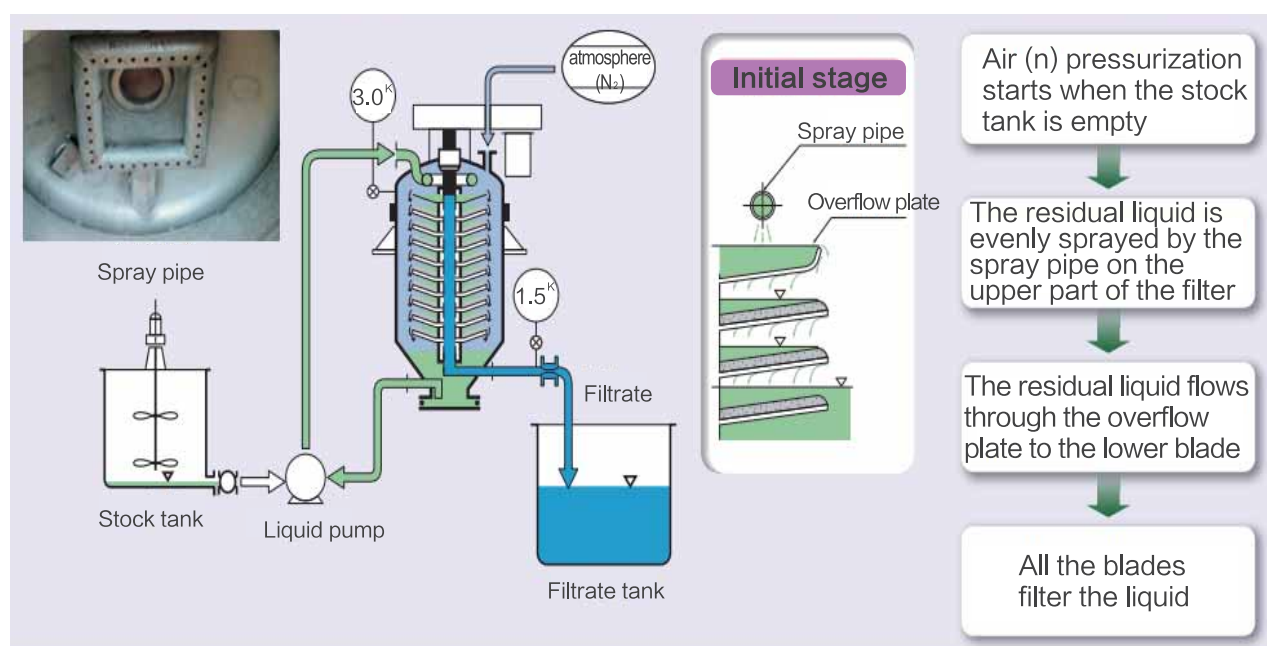
- ◆ Safe and airtight operation, no leakage, no environmental pollution.
- ◆ The filter cake can be washed and dried for maximum economic benefit.
- ◆ Stainless steel filter screen is selected as the filter medium, which has fast filtration speed and long service life. The filter screen is easy to clean without disassembly and can be carried out in the body.
- ◆ High filtration precision.
- ◆ The distance between filter plates can be adjusted according to different requirements, and the solid and slag capacity is large.
- ◆ The whole filtration process can be operated automatically.
- ◆ The filter disc adopts horizontal design, and the filter medium is composed of stainless steel filter screen, which does not consume filter paper, filter cloth and filter element.
- ◆ It can realize one-time complete filtration, especially in the condition of high hygiene requirement, high viscosity and high toxicity.
- ◆ Centrifugal force inspection, clean and quick slag discharge, suitable for precision filtration of various viscosity materials.
- ◆ There is no liquid residue and the residual treatment time is short.

Scope of application

It is widely used in liquid-solid separation, syrup filtration, diatomite filtration, activated carbon filtration, catalyst recovery, washing, drying, regeneration, etc., which are widely used in chemical, pharmaceutical, alkali making, food, textile machinery and other industries.

Sketch map

Residual liquid filtration system



Technical parameter

model	Filtration area(m ²)	Blade diameter	working temperature (°C)	working pressure (MPa)	Dimensions
Type	Filtering Area	Leaf Diameter	Working Temperature	Working Pressure	Outline Dimension
CJHB-S-2	2	500	≤ 150	0.4	700 × 2600
CJHB-S-5	5	700			800 × 3800
CJHB-S-7	7	850			1000 × 3700
CJHB-S-10	10	850	≤ 150	0.4	1000 × 3800
CJHB-S-12	12	850			1000 × 4200
CJHB-S-15	15	1000			1200 × 4400
CJHB-S-20	20	1000			1200 × 4600
CJHB-S-25	25	1000			1200 × 5200
CJHB-S-30	30	1200			1200 × 6000
CJHB-S-35	35	1200			1400 × 6800
CJHB-S-40	40	1200			1400 × 7500
CJHB-S-45	45	1220			1400 × 8200
CJHB-S-50	50	1200			1400 × 8900
CJHB-S-60	60	1200	1400 × 10000		

The above technologies are for reference only



CJFR Automatic Backwash Filter

Product introduction

CJFR tubular backwash filter is a filter equipment developed by cijie company. It can operate continuously on-line, and can filter, clean and discharge sewage. The liquid enters from the bottom, flows upward and passes through the filter screen. The solid impurities are collected outside the filter screen and gradually form a filter cake. The backwash liquid reverses the filter screen to clean the impurities on the filter screen. The impurities and cleaning liquid are discharged from the sewage main pipe at the bottom of the filter. The whole process is fully automatic operation, using time control or differential pressure control system for backwashing, without the participation of personnel, at the same time, it is safe and reliable, and greatly saves the operation cost.

CJFR tubular backwash filter is composed of several single pipe filters, which can be composed of two or more single pipes. The working pressure of the single pipe filter can reach 69 bar and the pressure difference can reach 10 bar. The inlet, outlet and drain outlet of each pipeline are connected in parallel. This connection allows each pipeline to be cleaned in turn, one pipeline is backwashed each time, and the rest of the pipeline can be continuously operated. Yes, the system has the ability to clean internally or externally.

CJFR tubular backwash filter can be used and treated with relatively large liquid filter, and the filtering accuracy can be in the range of 1–1700 μ m. The filter screen includes metal mesh, fiber mesh, wedge-shaped mesh, woven filter cloth, etc., which can meet many working conditions. The remarkable features are: large processing capacity, high filtration accuracy, low operation and maintenance costs, no need to replace the filter element, and the filter tube can be increased or decreased according to the user's processing requirements.

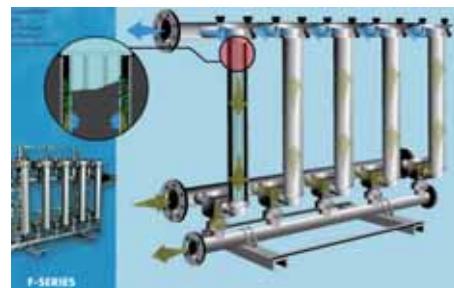
CJFR tubular backwash filter can be divided into two types according to the form of backwash

One is external backwashing mode of cjfr-v, that is, backwashing the filter screen with new cleaning solution, as shown in the figure:

CJFR-M is also used for internal backwashing, which uses the filtered clear liquid to backwash the filter screen, as shown in the figure:



CJFR-V



CJFR-M

Filter element





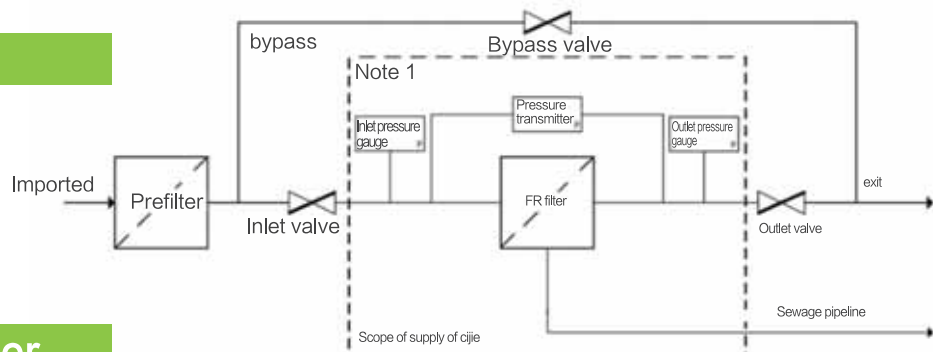
Product characteristics

- ◆ The filtration accuracy is as high as 1 micron
- ◆ The treatment capacity is large, and the number of tubes can be increased at any time according to the process
- ◆ Online continuous filtration, fully automatic operation, end heavy filter element replacement cleaning work
- ◆ No disposable filtering consumables are produced, and the cost of consumables and environmental treatment is saved
- ◆ The filtration pressure loss is very small, the flow rate is stable, the energy consumption of pipeline is saved, and the process is continuous and stable
- ◆ Internal backwashing and external backwashing can be adopted for backwashing. At the same time, each row of pipes is flushed separately, which does not affect the continuous operation
- ◆ High working pressure, up to 138 bar

Scope of application

- ◆ Applicable industries: raw water treatment, water treatment system, refrigeration system, electric power, steel, papermaking, mining, petrochemical, mechanical processing, etc
- ◆ Applicable liquid: raw water, pure water, ultra-clean water, groundwater, sea water, lake water, reservoir water, pond water, circulating cooling water, chilled water, high and low pressure spray water, water needle water, heat exchange water, sealing water, bearing cooling water, oil well water injection, process circulating water, machining coolant, cleaning agent, cleaning water, etc. main filtering function: remove mechanical impurities and protect key equipment prepare
- ◆ Filtration type: backwash filtration, automatic continuous online filtration

Sketch map



Technical parameter

Filter form	CJFR-M	CJFR-V
Backwash liquid	Supernatant after filtration	External cleaning fluid or gas
Applicable viscosity	<50cps	<100cps
Impurity content	<300	
Minimum inlet pressure	>0.3Mpa	No special requirements
Filtration accuracy	1~500um	
Standard design pressure rating	1.6Mpa~4Mpa	
Number of filtration units	3-24	
Filter unit maximum flow rate	DN50-25m ³ /h	DN65-42m ³ /h
Size of filter unit in and out	DN50 or DN65	
Filtration unit area	2670cm ²	3140cm ²
Alarm differential pressure	200Kpa	

Note: it only refers to the maximum flow rate of inlet and outlet pipe diameter of each filtering unit, and the flow rate of each filtering unit shall be determined by mainly considering the filtering accuracy, viscosity and impurity content.

CJBS Type a Full Automatic Plate Type Airtight Filter

Product introduction

CJBS series automatic plate type airtight filter is a kind of high efficiency, energy-saving and automatic airtight clarification equipment. It is widely used in chemical, petroleum, food, pharmaceutical and other industries.

Product characteristics

1. Completely closed filtration, no leakage, no environmental pollution.
2. The filtration accuracy can reach ppm level.
3. The filtrate was recovered completely without residue.
4. The filter does not need filter paper and cloth, and the cost of filtration is very low.
5. As long as you press the control button, the slag discharge port can be opened automatically, and the filter residue can be easily and automatically removed.
6. The filtrate and residue can be recovered together.
7. Connected with the computer, the whole filtering process is fully automated.
8. The filtration temperature is not limited, the operator is few and the method is simple.
9. The equipment cost and operation cost are low, and the maintenance is very convenient.
10. The equipment has reached the international advanced product level of the same kind.



Scope of application

- ◆ Pharmaceutical: various drugs used by activated carbon decolorization filtration.
- ◆ Food: vinegar, starch, sugar juice.
- ◆ Petrochemical Industry: lubricating oil, plasticizer, paraffin, etc.

Technical parameter

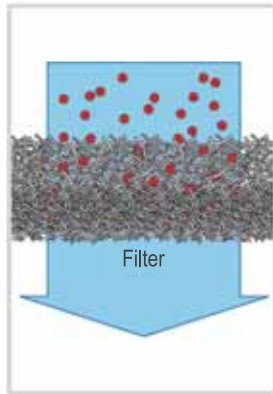
Type	Filtering Area (m ²)	Operating (T/hm ²)			Working Presswre (Mpa)		Filter Tank Volume (L)	Weight (KG)	Outline Dimension
		Food	Petrochemicals	Grease	Pated Pressure	Maximum Pressure			
CJBS-5	5	2-3	2-5	1-1.2	0.1-0.4	0.5	600	2100	1500×1300×1950
CJBS-7	7	4-6	5-7	1.4-2			780	2500	1600×1400×2000
CJBS-10	10	6-8	7-9	2-9			1200	2800	1700×1500×2300
CJBS-15	15	9-12	11-13	3-5			2000	3800	2050×2100×1900
CJBS-20	20	12-16	15-17	5-7			2200	4200	2050×2100×2200
CJBS-25	25	15-20	19-21	7-9			2500	4500	2050×2100×2600
CJBS-30	30	19-24	23-25	9-11			4700	5800	2600×2500×3600
CJBS-35	35	21-27	27-29	11-13			4900	6500	2600×2500×3800



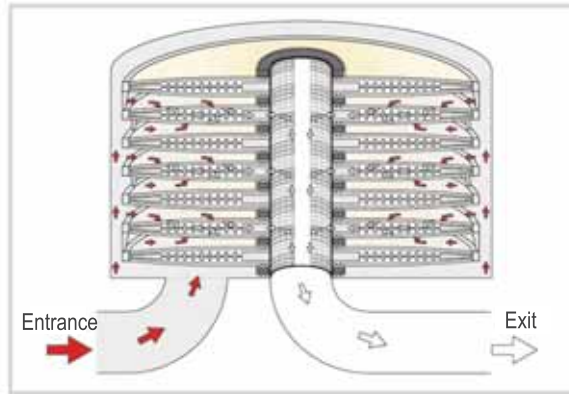
BP Membrane Pier Filter Element

Product introduction

From coarse filtration to microbial removal, Shanghai cijie provides a wide range of products to meet various applications, production technologies and filtration tasks. Membrane pier filtration is made of deep-seated filter plates, which can be superimposed and combined by multiple filter plates. The internal guide plate design can optimize the flow path of materials in the filter element unit, and the uniform spacing of filter elements ensures that the whole filtering surface can be filled Divide and use.



Principle of deep filtration



Flow chart of BECODISC closed filtration system

The membrane pier filter element filter is a closed filtration system, which is composed of several filter plates. The specific selection should be made according to the application. There are various sizes, designs and models of the membrane pier filter. There are 12 and 16 inch shells that can support 1–6 membrane pier filter elements with filtration area of 0.59 square meters to 88.8 square meters. The filtration precision can reach $0.1 \mu\text{m}$ to $40 \mu\text{m}$. There are standard deep filter plate, activated carbon filter plate and high viscosity liquid filter plate, which can be used in many production processes. The most important feature is to ensure that the endotoxin content of the filter plate is less than 0.125eu/ml. It can be applied to pharmacy and biotechnology.

Scope of application

- ◆ Activated carbon filtration
- ◆ antibiotic
- ◆ syrup
- ◆ Human plasma
- ◆ vaccines
- ◆ Infusion
- ◆ oil
- ◆ Biological extract



CJFW Core Backwash Filter

Product introduction

CJFW core backwash filter is a new generation of self-cleaning filtration system independently developed and designed by cijie company. It adopts single cylinder and multi filter element design, and has ultra-high flow fluid filtration capacity. It is especially suitable for various applications with standard design requirements. All filter elements are arranged in a large filter barrel with a rotary cleaning arm in the middle of the filter. When the filter element needs to be cleaned, the rotary cleaning arm rotates to the bottom of the filter element, and the blowdown valve is opened to generate pressure drop. Part of the filtrate flows through the filter element in the opposite direction and flushes the impurities to the drain outlet. Other filter tubes are normal filtration, will not be affected by any impact, whether online continuous operation, automatic backwash filter equipment.

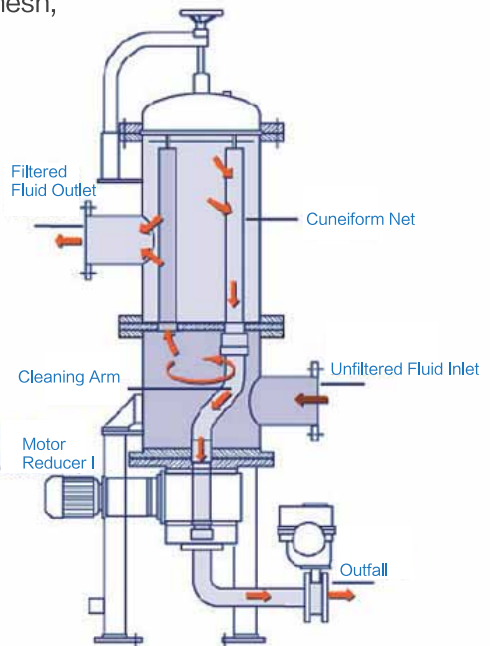
CJFW core type automatic backwash filter has outstanding advantages different from ordinary mesh type self-cleaning filter. It adopts extremely solid and durable V-slot slot filter element with uniform surface gap width. The single machine has a large filtering area, which can fine filter with low surface velocity. The ultra large flow rate of single machine can reach 10000m³ / h, which is extremely reliable, It can be used for poor water quality, such as oily muddy impurities, soft viscous impurities, high impurity content, a small amount of hair and fiber impurities.

CJFW core backwash filter has filtration accuracy of 30–2000 μ m, import and export size of 2"– 24". The filter screen has wedge-shaped mesh and metal mesh, which can meet the application of many industries.



Working principle

The liquid enters the bottom chamber of the filter from the inlet. The liquid flows into the inside of the filter element of each filter unit, flows out of the filter element tube, and then flows out of the filter outlet. The impurities are intercepted in the inner wall by each filter element tube, With the passage of time, there are more and more impurities in the inner wall of the filter element tube, and the pressure difference between the inlet and outlet increases. After reaching a certain value, the differential pressure transmitter sends a signal to the control system to start the backwash procedure. After the upper and lower backwash pipes of the motor drive are aligned alternately with the upper and lower ends of a group of filter element tubes, the backwash valve is opened. Due to the effect of pressure difference, part of the filtered clean liquid is backwashed Clean the filter element pipe connected with the rocker arm, flush the impurities on the inner wall and drain it from the blowdown valve. Repeat the above actions until the cleaning of each filter element pipe is completed. Close the drain valve, clean the rocker arm and continue the filtration operation.



Filter element





Product characteristics

- ◆ The treatment capacity is large, and the number of tubes can be increased at any time according to the process
- ◆ Online continuous filtration, fully automatic operation, end heavy filter element replacement cleaning work
- ◆ No disposable filtering consumables are produced, and the cost of consumables and environmental treatment is saved
- ◆ The filtration pressure loss is very small, the flow rate is stable, the energy consumption of pipeline is saved, and the process is continuous and stable
- ◆ Internal backwashing and external backwashing can be adopted for backwashing. At the same time, each row of pipes is flushed separately, which does not affect the continuous operation
- ◆ High working pressure, up to 138 bar

Scope of application

- ◆ Applicable industries: water treatment, steel, paper making, mining, petrochemical, mechanical processing, municipal, agricultural irrigation, etc
- ◆ Applicable liquid types: groundwater, sea water, lake water, reservoir water, pond water, circulating cooling water, chilled water, high and low pressure spray water, water needle water, heat exchange water, sealing water, bearing cooling water, oil well injection, process circulating water, machining coolant, cleaning agent, cleaning water, etc
- ◆ Main filtration function: remove large particles, purify water quality and protect key equipment
- ◆ Filtration type: backwash filtration, automatic continuous online filtration

Technical parameter

Specifications	CJFW 300	CJFW 400	CJFW 500	CJFW 600	CJFW 700	CJFW 800	CJFW 900	CJFW 1000	CJFW 1100	CJFW 1200
Standard flow rate (m ³ /h)	54	132	191	336	524	758	1035	1352	1716	1900
Optional precision (um)	50-2000									
Top job temperature (°C)	200									
working pressure (Mpa)	0.4-1.0									
Import and export size (DN)	80	125	150	200	250	300	350	400	450	500
Size of drain outlet (DN)	40	50	50	65	80	80	80	100	100	100
motor	Power 370W, three phase, 380V					Power 550W, three phase, 380V				
Applicable viscosity (cps)	<100									



CJST Scraper Type Self Cleaning Filter

Product introduction

CJST scraper type self-cleaning filter can automatically remove the particles and impurities on the surface of the filter element by efficient mechanical scraping. It can continuously and online filter on a single machine, without any consumables and without frequent manual cleaning. It is suitable for filtration of general coatings, water and highly viscous liquids. The viscosity can reach 100000 CP.

The traditional manual filter is often blocked when filtering viscous materials and soft impurities, so customers are forced to choose large filters or carry out frequent backwashing, which results in heavy investment, heavy work and serious waste of materials. Scraper self-cleaning filter can easily solve such problems, always keep the filter element clean regularly, discharge waste liquid with high impurity concentration and low material waste. With its remarkable technical advantages and low life cycle cost, filters are gradually replacing traditional manual filters in many fields, such as vibrating screen, bag filter, basket filter and some backwash self-cleaning filters.

CJST scraper self-cleaning filter is mainly divided into:

Cjst-x series, driven by the motor, the scraper rotates to scrape the impurities on the outer surface of the filter element;

Cjst-a series, the air cylinder drives the scraper to move up and down to scrape the impurities on the inner surface of the filter element;

Filter elements mainly include wedge-shaped mesh, punching mesh and laser microporous mesh, which can be used for filtration of many materials. The filtration accuracy can reach 15 microns. The pressure difference of the filter is 7 bar.



CJST-X

CJST-A

Sketch map

Structure description

- ① Is the shell
- ② Stainless steel wedge mesh
- ③ Imported
- ④ exit
- ⑤ Hanging plate or scraper
- ⑥ impurity
- ⑦ Outfall



Filter element



Hanging tray filtration



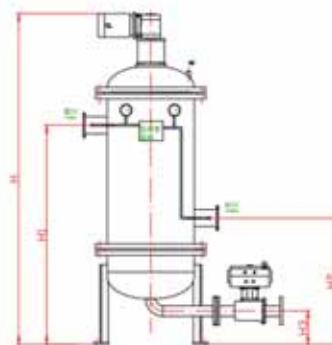
Scraper filter



Scraper filter self-cleaning control system

Working principle

The material is pumped into the filter through the inlet of the pump. The liquid flows through the wedge-shaped net and then flows out of the filter through the outlet. The impurities stay in the inner wall of the wedge-shaped net. When the time or pressure difference reaches the set value, the cylinder or motor will automatically work. The impurities in the inner wall of the wedge-shaped net will be scraped into the drainage cavity through the hanging plate or scraper, and the sewage valve will be opened to discharge the impurities out of the body.



Product characteristics

- ◆ Linear reciprocating scraping, directly scraping the impurities off the surface of the filter element
- ◆ Simple structure, easy to open, clean and maintain
- ◆ Online continuous filtration, fully automatic operation, end heavy filter element replacement and cleaning work
- ◆ No disposable consumables are produced, and the cost of consumables and environmental treatment is saved
- ◆ Filter pressure loss is minimal, flow is stable, energy consumption of pipeline is saved, and process is continuous and stable
- ◆ Sealed filtration to prevent leakage of dangerous materials, which is conducive to safe production
- ◆ With unique V-slot filter element, the opening height is uniform, the surface is smooth and easy to scratch, with high strength and long service life
- ◆ High concentration of impurities in waste liquid can be recovered to avoid the loss of high value materials
- ◆ Various module combination and powerful automation mode can be selected to meet the requirements of various filtering applications
- ◆ Select world-famous high-quality components, high reliability, little maintenance and low operation cost



Scope of application

- ◆ Applicable industries: water treatment, papermaking, petrochemical, biopharmaceutical, coating, ink, grease, food and beverage, etc
- ◆ Applicable liquid types: wax, kerosene, monomer, polymer, water, citric acid, fermentation broth, protein, soap, sorbitol, wet end additives, adhesive, ink, pigment, coating, resin, rubber, ethanol, chocolate, candy, edible oil, high temperature oil, juice, coolant, diesel oil
- ◆ Main filtration function: remove large particles, screen with fixed value, purify fluid and protect key equipment
- ◆ Filtration type: mechanical scraping filtration, automatic continuous online filtration

Technical parameter

model parameter	CJST- X02	CJST- X03	CJST- X04	CJST- X05	CJST- X06	CJST- X07	CJST- X08	CJST- X10	CJST- X12	CJST- X14
outlet (mm)	50	80	100	125	150	200	250	300	350	400
H (mm)	1732	1922	1922	1972	2004	2055	2106	2157	2208	2259
H1 (mm)	880	1000	1070	1120	1325	1375	1425	1640	1680	1755
H2 (mm)	445	670	620	670	835	885	825	1040	1080	1055
H3 (mm)	150	150	150	200	200	200	250	250	250	250
Screen area (cm ²)	2920	4143	4143	5402	6264	7913	9721	11690	13819	16108
Treatment capacity (m ³ /h)	40	45	65	105	150	265	410	590	800	1050



Product characteristics

- ◆ Top cover type: single bag machine is divided into TF for top in type turtle shell top cover; SF for side entry type concave top cover; FBF clamp connection; multi bag machine is divided into MF for quick opening multi bag machine and VF for ordinary multi bag machine.
- ◆ The number of filter bags: the number of filter bags can reach 32 at most, and multiple sets of single bag can be connected in parallel.
- ◆ Filter bag specification: No.1 filter bag, No.2 filter bag, No.3 filter bag and No.4 filter bag
- ◆ Material: BB is stainless steel 304, AB is stainless steel 316L, ad is dual phase steel, BH is 304, lined with Halar, BF is 304 lined with PFA, PP and PVC
- ◆ Design pressure: 0 ~ 6 MPa
- ◆ Interface: D is flange connection, f is clamp connection
- ◆ Interface size: 1–15 inches

Product characteristics

- ◆ Applicable industries: fine chemical industry, water treatment, papermaking, food and beverage, automobile coating, petrochemical, mechanical processing, pharmaceutical, coating, electronics, etc
- ◆ Applicable liquid: widely applicable, various kinds of liquid containing trace impurities
- ◆ Main filtration function: remove all kinds of particles
- ◆ Filter type: use the replacement filter bag to filter, and replace the filter bag manually and regularly

Technical parameter

Filter model	CJTF -0101-BB10	CJTF -0102-BB10	CJTF -0104-BB10
Bag size	Size01	Size02	Size04
Filtration area	0.25m ²	0.5m ²	0.14m ²
Standard flow rate (media dependent)	20m ³ / h	36m ³ / h	11m ³ / h
Maximum operating pressure	16.0 bar	16.0 bar	16.0 bar
Maximum operating temperature	160°C	160°C	160°C
Filter material	Stainless steel 304, stainless steel 316L, duplex steel, PP, stainless steel lining fluorine		
Seal material	NBR, EPDM, fluororubber, PTFE		
surface treatment	Glass bead sandblasting, food grade polishing, surface drawing		
Filter volume	13L	27L	5L
Weight of single filter	29KG (≈)	33KG (≈)	16KG (≈)

MF Quick Opening Multi Bag Filter

Product introduction

MF quick opening multi bag filter is an easy to operate, high cost-effective multi bag filter, suitable for high flow applications and frequent replacement of filter bags. It is most suitable for batch production process and safe filtration.



Product characteristics

- ◆ The clamp screw seal is used to make the opening or closing time of the top cover very short, only 40 s is needed;
- ◆ The weight balance mechanism assisted by spring is adopted to make the top cover as light as nothing, and the top cover can be opened or lowered with only one push by hand;
- ◆ The unique three-point pressure environmental protection proves the good sealing between the filter and the filter bag, and the attached tools make the operation very simple and easy;
- ◆ The side in and bottom out design ensures that the liquid can be completely discharged, and the tangent of the height can be reduced for the outlet;
- ◆ Minimum pressure loss and easy cleaning;
- ◆ There are 3-12 bags to choose from.

The opening mode is shown in the figure below



Scope of application

- ◆ Applicable industries: fine chemical industry, water treatment, papermaking, food and beverage, automobile coating, petrochemical, mechanical processing, pharmaceutical, coating, electronics, etc
- ◆ Applicable liquid: widely applicable, various kinds of liquid containing trace impurities
- ◆ Main filtration function: remove all kinds of particles,
- ◆ Filter type: use the replacement filter bag to filter, and replace the filter bag manually and regularly

Technical parameter

model	CJMF-0302	CJMF-0402	CJMF-0602	CJMF-0802	CJMF-1002	CJMF-1202
Number of filter bags	3	4	6	8	10	12
Filter bag specification	2					
Filtration area (m ²)	1.5	2	3	4	5	6
Maximum flow (m ³ /h)	108	144	216	288	360	432
Design pressure (Mpa)	0-0.8					
Design temperature (°C)	0-260					
Filtration accuracy (um)	1-1000					
surface treatment	Sandblasting、polishing、wire drawing					

Note: the maximum flow rate is the flow rate measured by filtering water under the condition of filter bag with the accuracy of 100 μ M. the selection of material characteristics is actually required

VF Common Multi Bag Filter

Product introduction

VF ordinary multi bag filter is divided into two types, one is using vf-k multi bag filter, and the other is VF-V multi bag filter.

VF-K multi bag filter adopts spring assisted weight balance mechanism to make the top cover as light as nothing, and it can be opened or put down with only one push by hand;

VF-V multi bag filter adopts rocker type lifting device, which is the most economical and practical way at present.



VF-K

Scope of application

- ◆ Applicable industries: fine chemical industry, water treatment, papermaking, food and beverage, automobile coating, petrochemical, mechanical processing, pharmaceutical, coating, electronics, etc
- ◆ Applicable liquid: widely applicable, various kinds of liquid containing trace impurities
- ◆ Main filtration function: remove all kinds of particles
- ◆ Filter type: use the replacement filter bag to filter, and replace the filter bag manually and regularly

Filter accessories



- ① Lifting lug bolt: M16 and M20 are available;
- ② Sealing ring: NBR, EPDM, Viton, silica gel, PTFE, PTFE, PTFE, etc;
- ③ Hollow floating ball: it is placed in the filter bag to reduce the amount of liquid remaining in the filter bag. The material is 304 and 316L, and the specifications are No. 1 and No. 2;
- ④ Filter basket: it is the support basket of filter bag. It adopts 1.5mm punching basket, and the material is 304 and 316L;
- ⑤ Pressure ring: the filter bag is pressed with three feet to achieve a good sealing effect;
- ⑥ Filter bag support frame: it is generally equipped in No.2 filter bag. Since the length of No.2 filter bag is 810mm, the pressure instability caused by filter bag folding and the damage of filter bag caused by up and down movement shall be avoided during installation;
- ⑦ Pressure gauge: each filter of Shanghai cijie company will be equipped with three-way exhaust valve and oil filled pressure gauge for customers, so that customers can easily discharge the pressure in the filter and directly see the pressure of the filter;
- ⑧ Magnetic rod assembly: it refers to that the filter bag support frame is equipped with one or two strong magnetic rods, which are placed in the filter bag to effectively absorb iron powder in the liquid, thus extending the service life of the filter bag. It is equipped with 01# and 02# magnetic rods, and the magnetic properties of the magnetic rods are 11000 Gauss.



Anti Corrosion Bag Filter

Product introduction

In order to adapt to various corrosive conditions, Shanghai cijie company provides polypropylene (PP) bag filter, PVC bag filter, multi bag filter and single bag filter. At the same time, it can also use stainless steel shell for anti-corrosion treatment. It can be lined with Halar, PFA and other corrosion-resistant layers. It can be used for strong acid, strong alkali, high temperature and low temperature materials.

PP multi bag filter is a filtration system made of 100% PP material. With the excellent chemical resistance of PP material, PP filter can meet the filtration application of many chemical acid-base liquids. Integrated injection molding shell, no seam, no dead angle, accurate specifications; is a high-quality, high-efficiency, economic and practical excellent products.

Product characteristics

- ◆ Filter case adopts double standard design, filter bag or filter element can be selected to filter.
- ◆ Smooth inner surface of filter shell, no slot, no dead angle, easy to clean.
- ◆ Patented leak proof gap seal design, filtrate will not bypass, no leakage.
- ◆ The upper cover of the filter is designed with quick opening lifting ring, which can easily open the upper cover and replace the filter material.
- ◆ The filter element and filter bag are pressed by flower disc, easy to replace, clean and safe.
- ◆ The working pressure can reach 4kg / cm² (design pressure), and the operating temperature can reach 65 °C. Please operate in accordance with the standard conditions. Do not use it with over temperature and overpressure.

Typical applicable industries and fluids

- ◆ Applicable industries: semiconductor, PCB industry, fine chemical industry, papermaking, petrochemical, pharmaceutical, coating, electronics, etc
- ◆ Applicable liquid: widely applicable, various kinds of liquid containing trace impurities
- ◆ Main filtration function: remove all kinds of particles,
- ◆ Filter type: use the replacement filter bag to filter, and replace the filter bag manually and regularly

PVC Top in bag filter



Stainless steel bag filter press



Glove filter press

The glove pressure filter, a patented product of Shanghai cijie environmental protection Co., Ltd., can be sealed and discharged. It is especially widely used in the pharmaceutical industry. It can be completely sealed and personnel will not contact with drugs, which can protect the drugs and personnel.



CJLW Precision Filter

Product introduction

Cjlw series core filter adopts filter element as filter element, which is suitable for liquid precision filtration to remove tiny impurities and bacteria. It has the advantages of high precision, high efficiency and large pollution capacity. LW filter is equipped with a variety of high-performance filter elements, which can meet the requirements of various conventional and special precision filtration.

LW filters are subdivided into 5 Subseries:

LWK economic type filter, clamp type upper cover structure, easy to start operation, suitable for small flow low pressure conventional filtration;

LWQ series, upper cover flange sealing structure, quick opening design, with cover opening auxiliary boom (cylinder diameter greater than 300 mm), is competent for severe application requirements, reliable performance and durable.

LWV nut series, screw on cover;

LWM series adopts maxsep series high flow filter element, which is specially designed for large flow, high precision and high pollution capacity applications. It provides horizontal and vertical designs, with large flow, compact structure and convenient replacement.

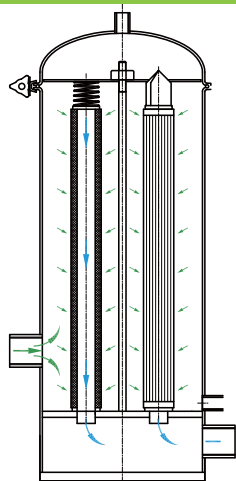
LWS series, food grade design, no sanitary dead corner, can be completely disassembled and cleaned, the inner surface is food grade polishing, suitable for food and beverage industry.

The filter element of cjlw series core filter can be equipped with filter elements: melt blown filter element, wound filter element, folded membrane filter element, metal filter element, titanium rod filter element, etc. it is compatible with the filter element of general interface form (DOE, 222, 226), and the filter element length is 5", 10", 20", 30" and 40". The maximum flow rate can reach 1200 ms / h, and the highest accuracy can reach 0.1 μ M.



LWV multi core filter

Filter element



working principle



LWL single core filter



LWQ multi core filter



Titanium rod filter



Scope of application

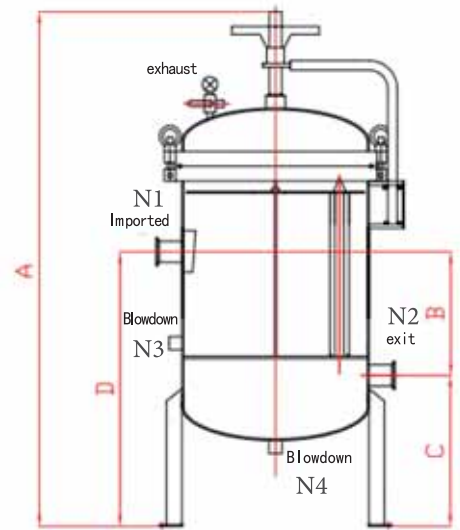
- ◆ Applicable industries: fine chemical industry, water treatment, papermaking, food and beverage, automobile coating, petrochemical, mechanical processing, pharmaceutical, coating, electronics, etc
- ◆ Applicable liquid: widely applicable, various kinds of liquid containing trace impurities
- ◆ Main filtration function: remove all kinds of particles,
- ◆ Filter type: use the replacement type filter element to filter, and replace the filter element manually and regularly

LWQ Multi Core Filter

Product introduction

It is a high-end precision filter. It is designed and manufactured according to the standard of steel pressure vessel. It is safe and reliable. It is suitable for filtration requirements of various applications. The standard upper cover adopts flange sealing structure, quick opening design and auxiliary lifting arm. The top cover is designed by default with standard elliptical head.

The shell material is stainless steel 304 / 316L or dual-phase steel and titanium. The surface treatment of stainless steel filter is mirror polishing treatment of internal and external surface or drawing matte treatment. Food grade and medical grade treatment can be made. Jacket design can be provided to maintain liquid temperature and good transport performance!



Appearance diagram

Lined core filter

In order to adapt to the filtration of various corrosive liquids, Shanghai cijie company uses anti-corrosion material (Halar / PFA, etc.) to meet the process requirements. The filter structure can be designed according to the interface form of the filter element. At the same time, imported anti-corrosion materials and domestic top anti-corrosion technology are used to ensure the safety and reliability of coating. The service temperature is $-20\text{ }^{\circ}\text{C} - 260\text{ }^{\circ}\text{C}$, and the design pressure is $0-1.6\text{ mpa}$. The interface doe, 222 and 226 of filter element can be made. The surface treatment includes mirror polishing and wire drawing.



Air filter

It mainly purifies the impurities in the compressed air, and at the same time it plays a role in sterilization





Multi core filter element technical parameter

Filter model	Inlet and outlet flange	Outfall N3	Outfall N4	Exhaust port N5	A (≈)	B	C	D	volume
	N1, N2 (inch)	NPT-F (inch)	NPT-F (inch)	NPT-F (inch)	(mm)	(mm)	(mm)	(mm)	(L)
LWQ-L3-10	2	1	3 / 4	1 / 4		254	457	203	19
LWQ-L3-20						356			30
LWQ-L3-30						356			42
LWQ-L6-20	2	1	3 / 4	1 / 4		457	533	203	34
LWQ-L6-30									45
LWQ-L6-40									59
LWQ-L12-20	3	1	3 / 4	1 / 4	1575	457	533	254	70
LWQ-L12-30					1829				91
LWQ-L12-40					2083				110
LWQ-L19-20	4	1	3 / 4	1 / 4	1651	559	584	305	95
LWQ-L19-30					1905				140
LWQ-L19-40					2159				185
LWQ-L27-20	4	1	3 / 4	1 / 4	1676	584	610	356	151
LWQ-L27-30					1930				189
LWQ-L27-40					2184				227
LWQ-L40-30	6	1	1	1 / 2	2007	584	660	406	291
LWQ-L40-40					2261				382
LWQ-L51-30	6	2	1	1 / 2	2007	584	813	432	279
LWQ-L51-40					2261				416
LWQ-L80-30	8	2	1	1 / 2	2184	610	813	508	613
LWQ-L80-40					2438				723
LWQ-L115-30	10	2-1/2	1-1/2	1	2814	610	813	584	893
LWQ-L115-40					2438				1052
LWQ-L156-30	12	2-1/2	1-1/2	1	2261	635	838	660	1677
LWQ-L156-40					2515				1961
LWQ-L203-30	14	2-1/2	1-1/2	1	2337	762	914	737	1798
LWQ-L203-40					2591				2082

- Note: 1. The above only includes the size of the filter, only for external reference, subject to the drawing.
 2. Suitable filter element length 10 ", 20", 30 ", 40".
 3. The flow rate of the filter depends on the flow rate of the filter element and the size of the inlet and outlet, and varies with the change of viscosity.
 4. The flow rate is not the only factor to determine the type selection. The pollutant capacity and initial differential pressure are the important factors.
 5. The upper cover adopts standard elliptical head design or flange flat cover structure.

QC Strong Magnetic Filter

Product introduction

QC high-intensity magnetic filter is used to remove iron pollutants and other small ferromagnetic impurities, which can effectively improve the product purity in production and protect key equipment from the damage of iron particles.

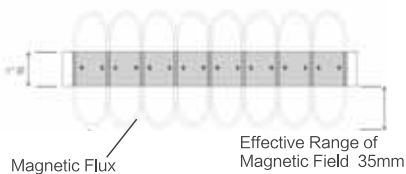
QC high-intensity magnetic filter is a submicron filter developed by Shanghai cijie company. It can process iron powder more than 1 micron. It mainly has manual and automatic products. It is widely used in food, chemical and pharmaceutical, mechanical finishing (coolant, lubricant and washing solution) filtration.

QC strong magnetic automatic filter adopts PLC control, which can discharge iron powder on line automatically and dry iron powder at the same time, which greatly reduces the loss of personnel operation and solution.

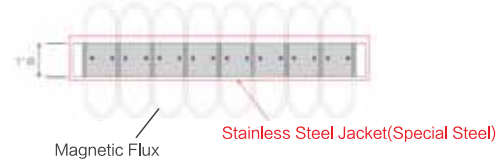
Shanghai cijie environmental protection company adopts a unique magnetic rod design, using the principle of the same magnetic repulsion, the same magnetic docking produces the strongest magnetic field. At the same time, the thickness of each small magnetic fast is only 15mm, the effective range of magnetic field is 35mm, and the magnetic surface reaches 12000 Gauss. It can effectively adsorb iron powder. The filtration accuracy reaches 1 micron, and the filtration effect reaches 96%. The magnetic rod structure is of the same size As shown in the figure:

Sketch map

AUTOMAG Magnetic Bar Design



AUTOMAG Magnetic Bar Design(EASY CLEAN)



Scope of application

- ◆ Applicable industries: Food and beverage, mechanical processing, pharmaceutical, chemical industry, papermaking, etc;
- ◆ Applicable liquid type: liquid containing iron particles or powder;
- ◆ Main separation function: separation of iron impurities.



Filter classification

Police magnetic filter: It is mainly used for circulating liquid on machining equipment. It can clearly see the adsorption of iron powder and clean it at any time.



MICROMAG Streamlined:

Standard mechanical filter, small cleaning station, no chemical environment
 Online / offline filtering
 Manual cleaning
 Styrene acrylonitrile
 temperature range
 stock

Product number	flow (L/minute)	Decontamination capacity(Kg)	Streamlined (BAR)	connect Inch thread (inch)
MM5	70	1	12	1
MM10	100	2	12	1
MM20	150	4	12	1 1/2



Manual magnetic filter: It can be used to filter the liquid, such as stainless steel, 3, 6 and so on.

FILTRAMAG Strong type:

Suitable for high flow, high pollution, low magnetic pollution source equipment, such as grinding media, non-magnetic steel particles, carbides, strong acid or strong alkali environment

Made of stainless steel

Online / offline filtering

Manual cleaning

Whole body made of stainless steel

11000 Gauss high strength magnet

Temperature range: 5 °C – 70 °C

stock



Product number	flow (L/minute)	Decontamination capacity(Kg)	Streamlined (BAR)	connect Inch thread (inch)
FM1.5M	250	3	10	1 1/2
FM2.5	500	6	10	2 1/2

Automatic magnetic filter: The full automatic magnetic filter is a patented product of Shanghai cijie company. The magnetic rod is separated from the magnetic sleeve, and the iron powder on the magnetic sleeve is treated by backwashing. At the same time, the production line can run continuously without stopping the production line. After backwashing, the dirty liquid enters the collecting box for "drying" again, discharging the iron powder and recovering the clear liquid. The whole process does not require human operation, no energy consumption, and greatly reduces the operation cost.



Stand alone filtration and liquid recovery systems are suitable for applications with larger flow rates and higher impurity content.

24 hours a day, 7 days a week

Online / offline filtering

Self cleaning pneumatic filter

Strong magnetic coolant roller for complete recovery of liquid used in cleaning process

Temperature range: 5 °C – 70 °C (filter unit)

Roller frame type 6	
AM6/SKID1	1 filter without pump
AM/SKID1/P	1 filter with 1 pump
AM/SKID2	2 filters without pump
AM/SKID2/P	2 filters with 2 pumps

Roller frame type 12	
AM6/SKID1	1 filter without pump
AM/SKID1/P	1 filter with 1 pump
AM/SKID2	2 filters without pump
AM/SKID2/P	2 filters with 2 pumps

Automag Magnetic filter unit	Number of cores	Maximum flow		Decontamination capacity(Kg)	Streamlined (Bar)
		(L/min)	(m³/h)		
AM6	6	450	27	7	10
AM12	12	900	54	14	20



CJSF Basket Filter

Product introduction

JSF basket filter is used in oil or other liquid pipeline. The area of filter hole is 2 ~ 3 times larger than that of diameter pipe, far more than that of Y type and T type filter. Cjsf basket filter is a small equipment to remove a small amount of solid particles in the liquid, which can protect the normal operation of compressors, pumps, instruments and others. When the fluid enters the filter cartridge with a certain size of filter screen, the impurities are blocked, and the clean filtrate is discharged from the filter outlet. When cleaning is needed, the detachable filter cartridge can be taken out, treated and reloaded. It is very convenient to use and maintain. At present, cjsf basket filter has been widely used in petroleum, chemical, pharmaceutical, food, environmental protection and other industries. If it is installed in series at the entrance or other parts of the system pipeline, it can not only prolong the service life of the pump and other equipment, but also ensure the safety of the whole system.



Product characteristics

- ◆ CJSF adopts flat in and flat out structure design, which makes it more convenient and quick to take over when installing
- ◆ The filter screen and the filter basket are designed separately, and the filter screen is damaged. The filter screen can be replaced directly without replacing the whole filter basket
- ◆ The top cover adopts lifting lug bolt quick installation structure, which can be disassembled in 1 minute
- ◆ Detachable design of filter basket and cylinder, easy to clear impurities
- ◆ Zhonglian series filters are all designed with 304 or 316L, anticorrosive and durable
- ◆ The surface is polished by mirror or matte sand blasting, which makes the product more beautiful
- ◆ The filtering accuracy is customized according to customers to meet different customer needs

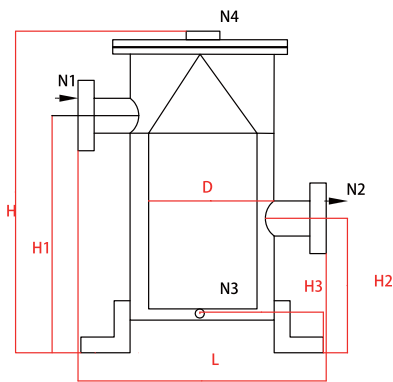
Scope of application

- ◆ Weak corrosive materials in chemical and petrochemical production, such as water, ammonia, oil, etc
- ◆ Corrosive materials in chemical production, such as caustic soda, concentrated and dilute sulfuric acid, carbonic acid, acetic acid, acid, etc
- ◆ Low temperature materials in refrigeration, such as liquid methane, liquid ammonia, liquid oxygen and various refrigerants
- ◆ Light industrial food, pharmaceutical production of materials with health requirements, such as: beer, drinks, dairy products, grain pulp, pharmaceutical supplies, etc

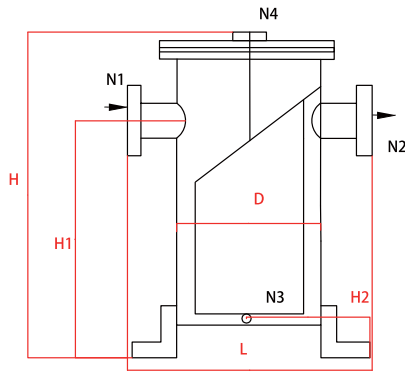




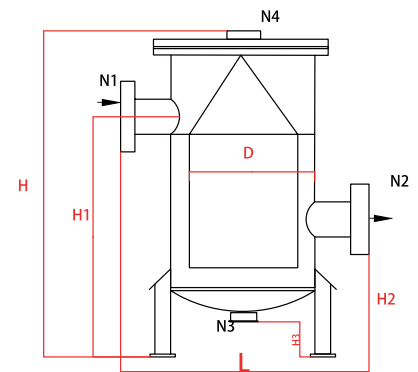
Sketch map



High and low outlets
(high in and low out)



High and low opening
(flat in and flat out)



High and low opening
(with feet)

Product classification

- CJSF Straight Through Basket Filter With Flat Bottom
- CJSF Through Arc Bottom Basket Filter
- CJSF High And Low Connection Flat Bottom Basket Filter
- CJSF High And Low Nozzle Arc Bottom Basket Filter

Technical parameter

Specifications	diameter (Φ)	Total length (L)	Total height (H)	High import (H1)	Silk mouth (W)
DN25	76	220	260	160	1/2
DN32	76	220	270	165	1/2
DN40	108	260	300	180	1/2
DN50	108	260	300	180	1/2
DN65	140	330	350	220	1/2
DN80	168	340	400	260	1/2
DN100	219	420	470	310	3/4
DN150	273	500	620	430	3/4
DN200	325	560	780	530	3/4
DN250	426	660	930	640	3/4
DN300	478	750	1200	840	3/4

Note: dimensions are straight through basket filter

CJ Filter Element Series

Product introduction

Core filtration has the outstanding characteristics of high filtration precision, high efficiency and large amount of pollution. It can meet the requirements of high precision, high capacity, sterilization, high temperature, high pressure and other special filtering occasions, and is the ideal choice for terminal filtration. Filter element is the core of LWL series core filter, which directly determines the filtration performance and final product quality. Cijie has developed 11 series of filter elements with different filtration characteristics by using global high-quality filter base materials, which can fully meet the needs of customers for precision filtration. And the filter elements are made through strict quality control in the production environment. Efficient filtration performance and stable quality are two main characteristics of cijie filter. The selection of cijie filter element means the selection of efficient and reliable filtration process.

MaxSEP Series high flow filter element

It is designed for filtration application with high precision and high impurity content or high precision and large flow rate. It has outstanding advantages of high precision, large flow rate, high pollution capacity and convenient operation. The absolute precision level is 99% with filtration efficiency of 0.45–70 μ m. Maxsep is designed for flow direction from the inside to the outside, and the impurities are intercepted and collected inside the filter element, so it is unnecessary to clean the filter after replacement; it is fully polypropylene structure, hot-melt welding; 6-inch large diameter, folding structure, and large filtering area, so as to increase the flow rate and pollutant absorption, reduce the number of filter cores required, save the labor cost for replacement, and reduce the volume by 30–40%; gradient filtration, with pre filtration function, Different sizes of impurities can be intercepted by stages, which can significantly increase the pollution capacity and service life. Maxsep is used in combination with CFM series filters.



High flow filter element

- The flow direction from inside to outside is designed to collect impurities in the filter element
- 6" large diameter, foldable design, high flow, high capacity
- Absolute precision filtering, efficiency 99%, hot melt welding
- Optimized combination of filtration membrane, gradient filtration, with pre filtration function

PolySEP Series polypropylene folding filter element

The filter layer is composed of polypropylene Microfiber membrane and diversion layer. It has a folding structure and has a high pollution capacity. The filtration accuracy range is 0.45–50 μ m, low pressure difference, high filtration flux and economic cost. It is widely used by industrial customers.

- 100% polypropylene for wide chemical compatibility
- Up to 0.45 μ m, various filtering accuracy levels can be selected
- Folding structure, increase the filtration area and the amount of pollution, long life
- High flow and low pressure loss
- Hot melt process joint, no adhesive release pollutants
- Meet the requirements of medicine and food industry

PesSEP Series PES folding filter element

The filter layer is composed of imported PES membrane and diversion layer. The filtration accuracy range is 0.05–0.65 μ m, with low pressure difference, high filtration flux and high filtration accuracy. It is widely used in extremely fine filtration and sterilization.

- Hydrophilic membrane, large flux, uniform pore size and high porosity
- The products are tested for 100% integrity before leaving the factory
- It has good resistance to high temperature and acid and alkali
- Up to 0.05 μ m, various filtering accuracy levels can be selected
- Hot melt bonding to avoid contamination from adhesive
- Meet the requirements of medicine and food industry

PtSEP Series PTFE folding filter element

The filtration layer is composed of PTFE membrane and diversion layer, and the filtration accuracy range is 0.1–0.45 μ m. Ptsep has excellent chemical compatibility, oxidation resistance and high temperature resistance. It is widely used in the fields of strong corrosion, fine filtration and high-end sterilization.

- Wide applicability, excellent chemical compatibility and oxidation resistance
- High flux and high rejection rate
- The products are tested for 100% integrity before leaving the factory
- Hot melt bonding to avoid contamination from adhesive
- Meet FDA biosafety standards
- Meet the requirements of medicine and food industry



Folding filter element

PP Folded membrane filter element technical parameter



project	parameter
Filtration accuracy (μ m)	0.1~120 μ m
Diameter and length of filter element	Φ 68mm, 5", 10", 20", 30", 40"
Maximum operating temperature	Polypropylene inner and outer cylinder + stainless steel lining joint < 80 $^{\circ}$ C Stainless steel inner cylinder + stainless steel lining joint < 95 $^{\circ}$ C
Resistance to pressure difference	0.4Mpa (25 $^{\circ}$ C)
Steam sterilization	121 $^{\circ}$ C, 30min
Effective filtration area (10" filter element)	\geq 0.6m



FineSEP Series melt blown filter element

Three dimensional micropores are formed by thermal bonding of melt blown polypropylene / polyester fiber. The pore size is gradually distributed from outside to inside with an accuracy of 1–50 μ M. It can intercept impurities with different particle sizes, high porosity, low filtration resistance, long service life, and good pre filtration effect. It is widely used in conventional nominal precision filtration.

- Large filtration area, better pressure resistance
- No chemical release, no foam when used.
- There is no phenomenon of medium falling off and pore diameter changing with pressure
- Gradient structure, large pollution capacity
- It has fine pores and small resistance
- Long service life

MicroSEP Series wound filter element

It is made of superfine fiber bundle which is wound on the porous framework according to the specific process. The structure of tight inside and loose outside is adopted. The deep filtration effect is excellent. The precision is 1–50 μ m, the pre filtration effect is excellent, the cost is economical, it is widely used in the conventional nominal precision filtration.

- Wire wound deep filtration structure
- Polypropylene, absorbent cotton and glass fiber are available
- Deep filtration, strong pollution absorption and long service life
- Loose outside and tightly wound inside, good pre filtration effect

MeshSEP Series sintered metal filter element

It is made of multi-layer stainless steel mesh optimized combination vacuum sintering, with precision of 5–200 μ m, high strength, high temperature resistance, easy cleaning and regeneration, low cost, especially suitable for high temperature, strong solvent, high pressure and other occasions.

- Multi layer sintering, optimized combination, high strength
- Easy to clean and backwash
- Excellent permeability, low filtration pressure loss
- No fiber material falling off, high temperature and corrosion resistance

FiberSEP Series sintered metal filter element

It is made of stainless steel fiber by sintering, folding, welding and other processes, with an accuracy of 3–100 μ m, uniform pores, high precision, high open hole rate, large surface area, large pollution capacity and large flow rate; it can be cleaned, recycled and reused, especially suitable for filtering at high temperature, strong solvent and high pressure.

- Excellent permeability, small filtration pressure loss and large pollution capacity
- The sintering process can ensure the stability of pore size and shape
- High temperature and corrosion resistance
- The porosity of metal felt is much higher than that of wire mesh with the same accuracy

PorSEPSeries sintered metal filter element

It is made of superfine metal powder by high temperature winding, with the precision of 0.5–20 μ m, uniform pores and high opening rate. It can be cleaned, recycled and reused, especially suitable for high temperature, strong solvent, high pressure and other occasions. Available in titanium or 316L.

- High temperature resistant, can be repeatedly high temperature sterilization
- Corrosion resistant, suitable for filtration of acid, alkali and organic solvents
- It has strong structure and can filter directly without support
- It can be cleaned, regenerated and reused



Meltblown filter



Wound filter element



Metal sintered filter element



Titanium rod filter element

PTFE folded membrane filter element / technical parameters

Filtration accuracy (μ m)		0.1	0.22	0.45
Integrity testing (domestic)	Bubble point pressure (bar 25°C)	0.12Mpa (ethanol)	0.1Mpa (ethanol)	0.06Mpa (ethanol)
	Bubble point pressure (Imported) (bar 25°C)	0.15Mpa (ethanol)	0.13Mpa (ethanol)	0.08Mpa (ethanol)
Diameter and length of filter element		Φ 68mm, 5"、10"、20"、30"、40"		
Effective filtration area		\geq 0.65m (10")		
Working conditions	Maximum operating temperature	Polypropylene inner and outer cylinder + stainless steel lining joint < 80 °C Stainless steel inner cylinder + stainless steel lining joint < 95 °C		
	Disinfection and sterilization	©121°C Online steam sterilization, high pressure sterilization, half an hour each time		
	Resistance to differential pressure	Forward: 0.4Mpa (25°C)		reverse: 0.2Mpa (25°C)
	Applicable PH value	1~14		
biosafety	endotoxin	<0.25EU/ml		
	Dissolution per 10 inches	<30mg		
Interface form		A (222)	C (226)	D (flat) F (215)
Sealing form		S (silicon rubber)	E (EPDM rubber)	F (Fluororubber) FF (Fluorination)



CJ Filter Bag Series

Product introduction



1 Filter bag



2 Filter bag



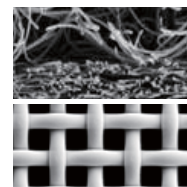
High flow filter bag

Bag filter has the outstanding characteristics of economic consumption, low pressure drop and convenient replacement operation, which is suitable for most conventional precision filtering occasions. Filter bag is the core of TF series bag filter system, which directly determines the filtration performance and the quality of final products. Cijie has developed four series of filter bags with different characteristics by using the global high-quality filter substrate to optimize the proportion, which can fully meet the strict requirements of precision filtration. All filter bags are made in a clean production environment and pass strict quality control procedures. Efficient filtration performance and stable quality are two main characteristics of cijie filter bag. The selection of cijie filter bag means the selection of efficient and reliable filtration process.

Cijie filter bag includes deep filtration type and mesh surface filtration type

[deep filtration] the filter layer is composed of fine fibers crisscross vertically and horizontally according to specific rules, which is suitable for intercepting small solid particles and some soft impurities, and plays an obvious role in clarifying. It belongs to disposable filtering consumables. Deep space has a stronger ability to absorb pollutants. Suitable for medium low viscosity, high precision liquid filtration requirements.

[mesh surface filtration] the filter layer is composed of a smooth mesh woven by monofilament. The surface openings are usually square holes, which are suitable for intercepting large hard particles. Particles larger than the filter aperture can be completely intercepted. The particles smaller than the filter aperture can play the role of fixed value screening. The surface filter cake is easy to peel and clean, and the mesh filter material can be reused several times after cleaning.



EcoSEP Series filter bags Economical and applicable conventional filter bag

Ecosep filter bag is the most widely used economic and applicable conventional filter bag. It is a simple bag structure and is suitable for intercepting particles of various sizes. PP、PE needle felt filter bags are suitable for precision filtration of nominal accuracy level, NM nylon mesh filter bags are suitable for coarse filtration, and PX、EX multifilament filter bags are suitable for high precision absolute efficiency filtration. Ecosep has three sizes, with filtration area of 0.1 m²、0.25 m²、0.5 m² respectively. Ecosep filter bag is manufactured according to the international standard, which is compatible with the current mainstream brand bag filter. Optional filter materials: PP、PE、NM、PX、EX.

AccuSEP Series filter bags High efficiency deep filter bag with absolute precision

Accusep filter bag is designed for absolute precision filtration with filtration efficiency as high as 99%. It has excellent clarification and filtration effect, and its filtration performance is comparable to the expensive filter element of the same level. The flow rate of a single bag is 7-10 times of that of a single 40" folded filter element, which is easy to install and replace. The optimized proportion of accusep is used to pass through the filter layer with pre filtration function, which can greatly save the cost of consumables.

Accusep filter bag is made of 100% FDA grade polypropylene filter material, which does not contain any silicone oil, adhesive and other components that may contaminate the liquid; gradient filter layer includes: melt blown polypropylene pre filter layer, multi-layer composite polypropylene fine filter membrane and external protection layer. Accusep is good at filtering very fine particles, even soft particles such as colloids, organic impurities, etc. sufficient depth space can intercept soft particles in the filter fiber. In traditional filter elements, soft impurities are easy to paste into a layer on the surface, which can end the service life of the filter element in advance, or squeeze through the filter layer, which can not achieve the filtering effect. The filtration area is 0.5 m². Optional filter material: PB.

HiSEP Series filter bags New generation of high flow filter bag

HiSEP high flow filter bag is a new generation of patent filter bag developed by cijie company. Compared with the traditional No. 2 filter bag, the outline size is unchanged, but the filtering area is increased to 2 times, up to 1 m², with 2 times of flow or pollution capacity. HiSEP filter bag can reduce the frequency of replacement, reduce the cost of shutdown and replacement, and reduce the waste of liquid stored in the bag when replacing the filter bag. Using HiSEP filter bag, the small filter also has a large flow, greatly reducing the investment cost of filtering equipment. A filter bag can be replaced within 20 seconds with a special mounting frame. The filter bag is used with HiSEP support basket of special design, with high strength and high safety. Optional filter materials: PP、PE、NM、PX、EX.

MorEP Series filter bags High efficiency deep filter bag

MorSEP filter bag is an adsorption type filter bag specially designed for efficient deep filtration and adsorption of trace oil in liquid. It is made of PS melt blown polypropylene filter material and internal and external protective layer. MorSEP filter bag has excellent depth space, excellent fine filtration effect, and its filtration performance and pollutant capacity are significantly better than ecosep filter bag. The filter material is composed of ultra-fine fibers, which can absorb 23 times more oil than its own weight. The filtration area is 0.25 m²、0.5 m² respectively. Optional filter material: PS.

Technical parameter

Filter material code	Material name	Suitable filter bag	Filter type	Efficiency level	Temperature resistance	Aliphatic solvents	Aromatic solvents	weak acid	strong acid	weak acid
PP	Polypropylene needle felt	Hi SEP/EcoSEP	Deep filtration	nominal	90 °C	■		■	■	■
PE	Polyester needle felt	Hi SEP/EcoSEP	Deep filtration	nominal	145 °C	■	■	■		■
NM	Nylon monofilament mesh	Hi SEP/EcoSEP	Surface filtration	absolutely	165 °C	■	■			■
PB	Melt blown polypropylene	AccuSEP	Deep filtration	absolutely	90 °C	■		■	■	■
PX	Polypropylene multifilament filter material	Hi SEP/EcoSEP	Surface filtration	absolutely	90 °C	■		■	■	■
EX	Polyester multifilament filter material	Hi SEP/EcoSEP	Surface filtration	absolutely	145 °C	■	■	■		■
PS	Melt blown polypropylene	MorSEP	Adsorption filtration	nominal	90 °C	■		■	■	■

"■" means that the preliminary judgment of chemical compatibility is applicable, which is only used as the basic reference for type selection, and the final selection is subject to the specific judgment of specific liquid.



Product introduction

PP / PE polyester needle punched felt filter material (Code: PP、PE)

Deep layer filter material is suitable for the precision filtration of nominal precision level, with the precision of 1–100 μ M. It can remove small solid particles and play a certain role in clarification. It has a large amount of pollution. The surface of the filter material is treated by advanced calendaring and singeing technology, which is smooth and smooth, and can prevent fiber from falling off.

NM nylon monofilament mesh filter material (code NM)

The filtering material on the surface of the mesh screen can remove large solid particles with an accuracy of 25–1250 μ m, which can be cleaned and reused for several times. The high-quality nylon monofilament which is not easy to stretch and deform is adopted, and the intersection point of warp and weft is heat set, which can keep the pore size unchanged during filtration.

PB polypropylene composite absolute precision filter material (Code: PB)

The deep layer filter material with deep filtration and adsorption characteristics is suitable for oil particles adsorption and high-efficiency filtration with precision of 1–25 μ M. the filter layer is composed of multi-layer ultra-fine melt blown fiber and fine filtration membrane, which can filter extremely fine particles with filtration efficiency of 99%.

PS melt blown polypropylene oil absorption filter material (Code: PS)

The double effect filter material with deep filtration and adsorption characteristics is suitable for oil particles adsorption and high-efficiency filtration with precision of 10, 25 and 50 μ M. the filter layer is composed of multi-layer ultra-fine melt blown fiber, which can filter fine particles.

PX polypropylene / ex polyester multifilament woven filter material (code PX、EX)

Mesh surface filter material, suitable for filtering smaller particles, with an accuracy of 1–50 μ m, can be cleaned and reused; it is optimized and woven from PX polypropylene or ex polyester multifilament. The disadvantages of this method are that it can absorb less pollutants and its cleaning ability is slightly inferior to that of nm filter material.



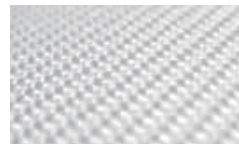
PP / PE polyester needle felt filter bag (Code: PP、PE)



NM nylon monofilament mesh filter material (code NM)

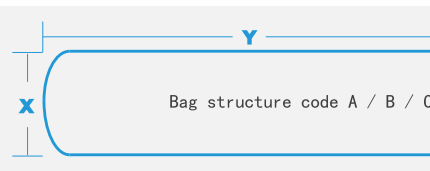
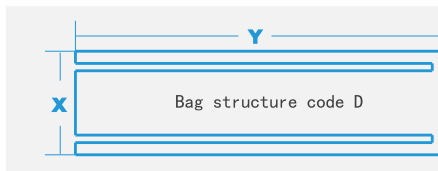


PS melt blown polypropylene filter material (Code: PS)



PX polypropylene / ex polyester multifilament woven filter material (code PX、EX)

Structure code	Suitable filter bag	X diameter (mm)	Y length (mm)	Actual volume (L)	the measure of area (m ²)
A	EcoSEP/MorSEP	178	419	7.4	0.25
B	AccuSEP/EcoSEP/MorSEP	178	813	16	0.5
C	EcoSEP	102	355	2.1	0.1
D	HiSEP	178	720	12	1.0



DuraSEP Series filter basket

PerSEP Series filter basket

Durasep and persep series baskets are installed in SF basket filters, and some models can be installed in TF bag filters.

Durasep filter basket, multi-layer composite structure, suitable for filtering in the accuracy range of 30–1000 μ m; long-life filter element, through advanced vacuum high-temperature composite technology, optimizes and composes the protective layer, filter layer, diversion layer and strengthening layer (the number of layers depends on the accuracy), which has the outstanding advantages of "durable, easy to clean and accurate". Durasep filter basket makes cleaning more convenient and reduces operation, maintenance and replacement costs. Most importantly, it means reliable and stable filtration process, which can improve the quality of final products and protect the downstream key equipment most reliably.

Persep series filter basket, the filter layer is a single stainless steel sheet, the surface of circular hole structure, suitable for coarse filtration above 600 μ M.

Technical parameter

Strong alkali	neutral	1	4	5	10	15	25	30	50	75	100	125	150	200	300	400	500	600	800	1000
■	■	■		■	■		■		■	■	■									
	■	■		■	■		■		■	■	■		■	■						
■	■						■		■	■	■	■	■	■	■	■	■	■	■	■
■	■	■	■	■	■	■	■	■	■	■	■									
■	■			■	■	■	■	■	■	■	■									
■	■				■		■		■											

Optional filtering accuracy(μ m) <<----->>

Industry Application



Catalyst recovery – stainless steel lined PTFE



Copper foil diatomite filtration carbon steel rubber lining



Extraction and filtration of traditional Chinese Medicine



Acid filtration



Comparison table of mesh number and filtering precision of filter screen

Mesh number	Filtration accuracy μm
5	3900
10	2000
16	1190
20	840
25	710
30	590
35	500
40	420
45	350
50	297
60	250
80	178
100	150
120	124
140	104
170	89
200	74
230	61
270	53
325	44
400	38
460	30
540	26
650	21
800	19
900	15
1100	13
1300	11
1600	10
1800	8
2000	6.5
2500	5.5
3000	5
3500	4.5
4000	3.4
5000	2.7
6000	2.5
7000	1.25

Note: mesh size of filter refers to the number of meshes per square inch.